

**PLAN VIEW**

SCALE: NTS  
 ARCH REF: 1/A-2.1  
 ST/A6.1  
 QUANTITY: TYPE A - 6  
 TYPE B - 1  
 TYPE C - 1

**01**

**GROUND FLOOR**

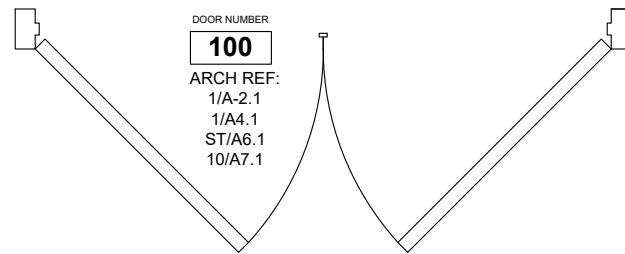
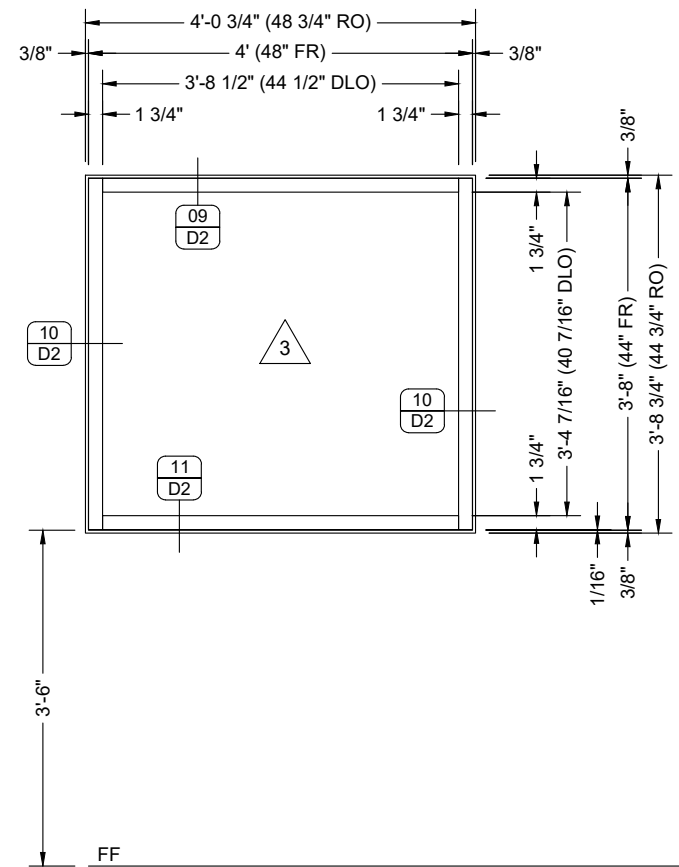
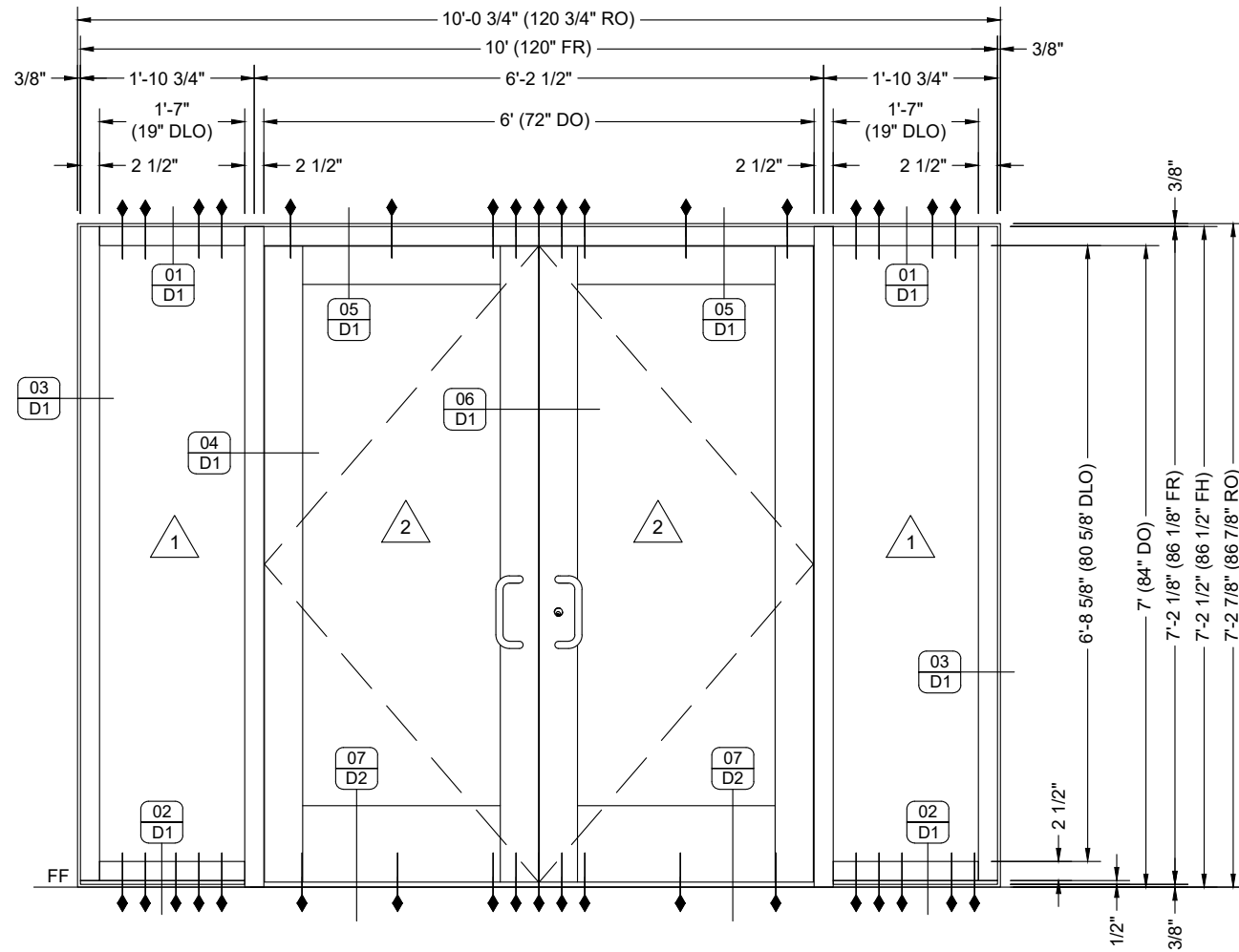
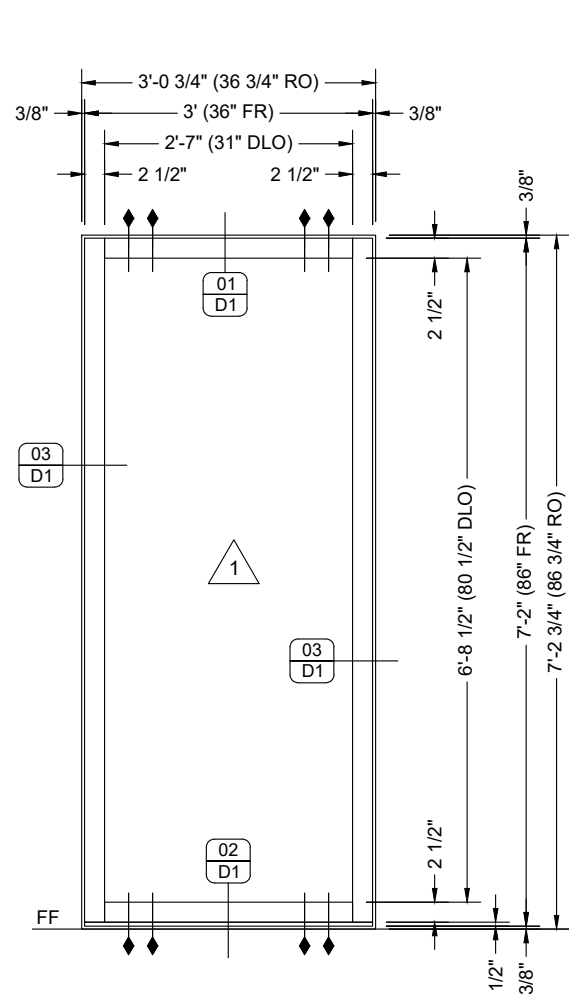
KAWNEER IR-501 IMPACT STOREFRONT  
 KAWNEER 500 IR IMPACT ENTRANCE ON IR-501 FRAME  
 KAWNEER TRIFAB VG-400 STOREFRONT

NO.	DATE	BY	DESCRIPTION
1	02/14/22	fp	First Submittal

**CONTRACTOR'S GLASS PRODUCTS**  
 7701 WEBER RD., CORPUS CHRISTI, TX 78315  
 WORK (361) 854-8188 FAX (361) 854-4412

PROJECT: HERITAGE BAPTIST CHURCH  
**NEW MULTI-PURPOSE BUILDING**  
 ARCHITECT: LUDDEKE ARCHITECTURAL DESIGN GROUP  
 (361) 857-7628  
 GENERAL CONTRACTOR: BARCOM CONSTRUCTION, INC.  
 (361) 857-0020

PROJECT NO.	CGP-2202-02
DRAWN BY	fp
DATE	02-14-22
SCALE	NTS
DRAWING	FLOOR PLANS
SHEET	P1



**ELEVATION**

QUANTITY: 06  
 SCALE: 1/2" = 1'-0"  
 ARCH REF: 1/A-2.1 1/A-4.1 ST/A-6.1 10/A-7.1

**A EXTERIOR STOREFRONT**  
 KAWNEER IR-501 IMPACT STOREFRONT

**ELEVATION**

QUANTITY: 01  
 SCALE: 1/2" = 1'-0"  
 ARCH REF: 1/A-2.1 ST/A-6.1 1/A-7.2

**C INTERIOR STOREFRONT**  
 KAWNEER VG-450 ALUMINUM STOREFRONT

**ELEVATION**

QUANTITY: 01  
 SCALE: 1/2" = 1'-0"  
 ARCH REF: 1/A-2.1 1/A-4.1 ST/A6.1 10/A-7.1

**B EXTERIOR STOREFRONT**  
 KAWNEER IR-501 IMPACT STOREFRONT  
 KAWNEER 350 IR IMPACT ENTRANCE DOORS

**HARDWARE FOR EXTERIOR DOOR 100**

- CONTINUOUS GEAR HINGES
- KAWNEER 1686 CONCEALED ROD EXIT DEVICES
- C-90 PULLS/CP-ii PUSHBARS
- SEALS/SWEEPS
- OVERHEAD SURFACE MOUNTED ADJUSTED CLOSERS

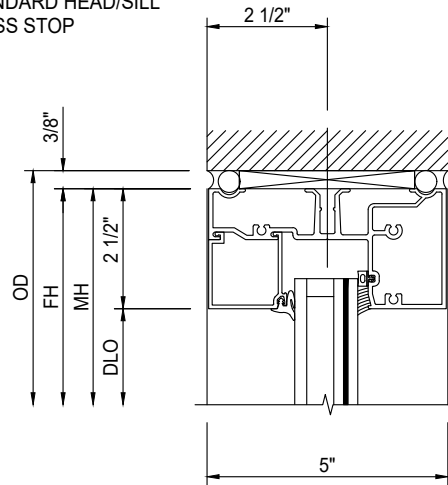
**CONTRACTOR'S GLASS PRODUCTS**  
 7701 WEBER RD, CORPUS CHRISTI, TX 78315  
 WORK (361) 854-8188 FAX (361) 854-4412

PROJECT: HERITAGE BAPTIST CHURCH  
**NEW MULTI-PURPOSE BUILDING**  
 ARCHITECT: LUDDEKE ARCHITECTURAL DESIGN GROUP  
 (361) 857-7628  
 GENERAL CONTRACTOR: BARCOM CONSTRUCTION, INC.  
 (361) 851-0020

PROJECT NO.	CGP-2202-02
DRAWN BY	fp
DATE	02-14-22
SCALE	1/2" = 1'-0"
DRAWING	ELEVATIONS
SHEET	E1

NO.	DATE	DESCRIPTION
1	02/14/22	First Submittal

575103 IR 501 STANDARD HEAD/SILL  
 575104 IR 501 GLASS STOP



**DETAIL**

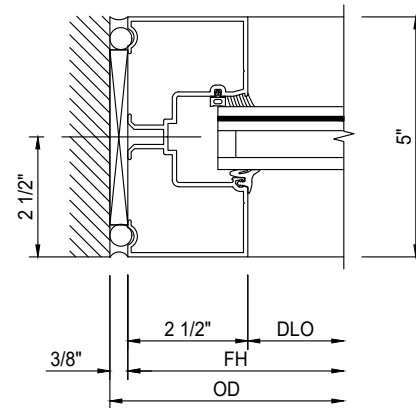
SCALE: 3" = 1'-0"  
 ARCH REF: N/A

**01**

**EXTERIOR HEAD**

KAWNEER IR-500 IMPACT STOREFRONT

575101 IR 501 JAMB



**DETAIL**

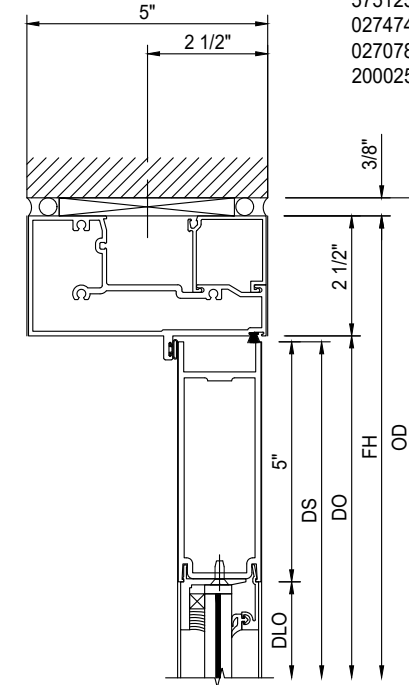
SCALE: 3" = 1'-0"  
 ARCH REF: N/A

**03**

**EXTERIOR JAMB**

KAWNEER IR-500 IMPACT STOREFRONT

575104 GLASS STOP  
 575125 TRANSOM BAR W/ FIN FOR H2O  
 027474 .210 PILE WEATHERSTRIP  
 027078 BULB DOOR WEATHERING  
 200025 "500" STANDARD TOP DOOR RAIL



**DETAIL**

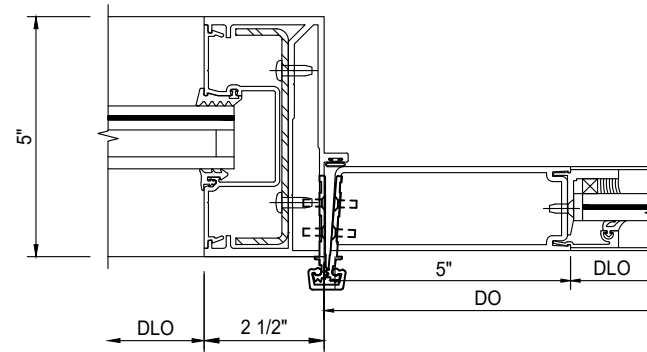
SCALE: 3" = 1'-0"  
 ARCH REF: N/A

**05**

**EXTERIOR DOOR HEADER**

KAWNEER 500 IR IMPACT ENTRANCE ON A  
 KAWNEER IR-500 IMPACT STOREFRONT

575051 IR 500/501 DOOR JAMB W/ FIN  
 575135 IR 501 DEEP POCKET FILLER  
 027078 BULB DOOR WEATHERING  
 575310 STEEL REINFORCEMENT  
 200008 "500" LOCK / PIVOT STILE



**DETAIL**

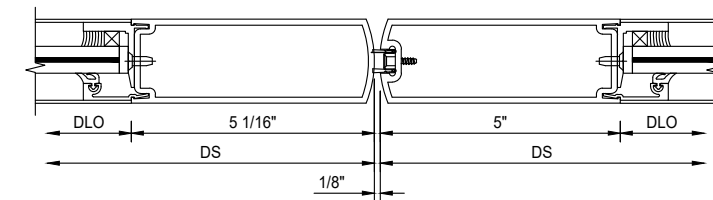
SCALE: 3" = 1'-0"  
 ARCH REF: N/A

**04**

**EXT. HINGED JAMB W SIDELITE**

KAWNEER 500 IR IMPACT ENTRANCE ON A  
 KAWNEER IR-500 IMPACT STOREFRONT

200009 500 ACTIVE STILE  
 200010 500 INACTIVE STILE  
 200496 ADJUSTABLE ASTRAGAL



**DETAIL**

SCALE: 3" = 1'-0"  
 ARCH REF: N/A

**06**

**MEETING STILE**

KAWNEER 500 IR STOREFRONT ENTRANCE

**DETAIL**

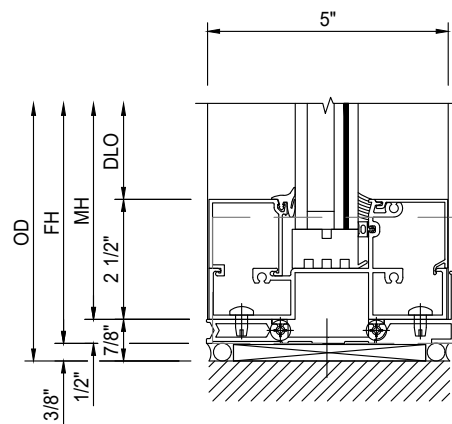
SCALE: 3" = 1'-0"  
 ARCH REF: N/A

**02**

**EXTERIOR SILL**

KAWNEER IR-500 IMPACT STOREFRONT

575158 IR 501 OPTIONAL SILL  
 575157 FLASHING  
 575208 END DAM  
 575159 IR 501 OPTIONAL SILL COVER  
 575104 IR 501 GLASS STOP



**CONTRACTOR'S GLASS PRODUCTS**  
 7701 WEBER RD., CORPUS CHRISTI, TX 78315  
 WORK (361) 854-8188 FAX (361) 854-4412

PROJECT: HERITAGE BAPTIST CHURCH  
**NEW MULTI-PURPOSE BUILDING**  
 ARCHITECT: LUDDEKE ARCHITECTURAL DESIGN GROUP  
 (361) 867-7628  
 GENERAL CONTRACTOR: BARCOM CONSTRUCTION, INC.  
 (361) 861-0000

PROJECT NO.	CGP-2202-02
DRAWN BY	fp
DATE	02-14-22
SCALE	3" = 1'-0"
DRAWING	DETAILS
SHEET	D1